

# Gas-actuated thermometer with switch contacts

## Stainless steel version

### Model TGS73

WIKA data sheet TV 27.01



for further approvals  
see page 9

#### Applications

- Control and regulation of industrial processes
- Monitoring of plants and switching of circuits
- Universally suitable for machine building, plant, tank, equipment manufacturing and food industry
- Temperature measurement without medium contact
- Mounting in instrument boards, control cabinets, control panels

#### Special features

- Instruments meet the highest standards of measurement technology
- Case and stem from stainless steel
- For external mounting on pipes and tanks
- Instruments with inductive contacts for use in hazardous areas
- Instruments with contacts for PLC applications

#### Description

Wherever the process temperature has to be indicated on-site or in places that are difficult to access and, at the same time, circuits need to be switched, the gas-actuated thermometer with switch contacts finds its use.

Due to the wide variety of possible designs, the model TGS73 gas-actuated thermometers can be perfectly adapted to any process connection or location. With the adjustable stem and dial version, the case can be adjusted precisely to the desired viewing angle.

With the contact bulb version (without direct contact with the medium), the temperature can be measured and controlled even when the pipe diameter is extremely small. The contact bulb is intended for external mounting on pipes and tanks. When mounting this thermometer version, it must be ensured that the contact bulb is in contact with the measuring point over its complete length.



Fig. top: with capillary

Fig. bottom: Back mount

Switch contacts (electrical alarm contacts) make or break circuits dependent upon the pointer position of the indicating measuring instrument. The switch contacts are adjustable over the full measuring range. The instrument pointer (actual value pointer) moves freely across the entire scale range, independent of the setting. The set pointer can be adjusted via the window using a removable adjustment key (mounted on the terminal box). Switch contacts consisting of several contacts can also be set to a single set point. Contact actuation is made when the actual value pointer travels beyond or below the desired set point.

As switch contacts, magnetic snap-action contacts, inductive contacts and electronic contacts are available. Inductive contacts can be used in hazardous areas. For triggering programmable logic controllers (PLC), electronic contacts can be used.

## Specifications

| Gas-actuated thermometer, model TGS73                |  |
|--|--|
| <b>Measuring element</b>                             | Gas-pressure inert gas filling, physiologically safe   |
| <b>Nominal size in mm</b>                            | <ul style="list-style-type: none"> <li>■ 100</li> <li>■ 160</li> </ul>   |
| <b>Instrument version</b>                            | <ul style="list-style-type: none"> <li>■ Back mount (axial)</li> <li>■ Lower mount (radial)</li> <li>■ Back mount, adjustable stem and dial</li> <li>■ Version with capillary</li> </ul>   |
| <b>Connection designs</b>                            | <ul style="list-style-type: none"> <li>■ S, Standard (threaded connection) <sup>1)</sup></li> <li>■ 1, Plain stem (without thread)</li> <li>■ 2, Male nut</li> <li>■ 3, Union nut</li> <li>■ 4, Compression fitting (sliding on stem)</li> <li>■ 5, Union nut and loose threaded connection</li> <li>■ 6, Compression fitting (can be adjusted on either capillary or spiral protective sleeve)</li> <li>■ 7, Compression fitting at the case</li> </ul> |
| <b>Unit (scale range)</b>                            | °C<br>Option:<br><ul style="list-style-type: none"> <li>■ °F</li> <li>■ °C/°F (dual scale)</li> </ul>  |
| <b>Process connection</b>                            | <ul style="list-style-type: none"> <li>■ Plain, without thread</li> <li>■ G ½ B</li> <li>■ ½ NPT</li> <li>■ G ½ female</li> <li>■ ½ NPT female</li> <li>■ M20 x 1.5</li> <li>■ M24 x 1.5 female</li> <li>others on request</li> </ul>  |
| <b>Accuracy class per DIN 16196</b>                  | Class 1<br>at 23 °C ±10 °C ambient temperature   |
| <b>Rated operating ranges and conditions</b>         | DIN 16196 (EN 13190)   |
| <b>Stem diameter</b>                                 | 8 mm<br>Option:<br><ul style="list-style-type: none"> <li>■ 6 mm</li> <li>■ 10 mm</li> <li>■ 12 mm</li> <li>others on request</li> </ul>   |
| <b>Working range</b>                                 |  |
| Continuous load (1 year)                             | Measuring range (DIN 16196)  |
| Short time (max. 24 h)                               | Scale range (DIN 16196)  |
| <b>Window</b>  | Laminated safety glass   |
| <b>Contact bulb</b>                                  | 120 x 22 x 12 mm   |
| <b>Adjustable stem and dial</b>                      | Swivelling 90°<br>360° rotatable   |
| <b>Capillary</b>                                     | Ø 2 mm<br>Minimum curve radius: 6 mm<br>Length to customer specification<br>Option:<br>Armoured coating for capillary (Ø 7 mm spiral protective sleeve, flexible or PVC-coated)  |
| <b>Mounting types for instruments with capillary</b> | <ul style="list-style-type: none"> <li>■ Surface mounting flange, stainless steel</li> <li>■ Instrument mounting bracket, aluminium die-casting</li> <li>■ Panel mounting flange, stainless steel</li> </ul>   |
| <b>Dampening (option)</b>                            | <ul style="list-style-type: none"> <li>■ With liquid dampening</li> <li>■ With food-compatible liquid dampening</li> </ul>   |

1) Not applicable to instruments with capillary

**Gas-actuated thermometer, model TGS73**

|   |   |
|---|---|
| <b>Wetted materials</b>                           |   |
| Stem, process connection                          | Stainless steel 316SS   |
| <b>Non-wetted materials</b>                       |   |
| Case, bayonet ring                                | Stainless steel 304SS (option: stainless steel 316SS)   |
| Contact bulb, capillary                           | Stainless steel 316SS   |
| Dial  | Aluminium, white, black lettering   |
| Pointer   | Aluminium, black, adjustable pointer  |
| <b>Ingress protection per IEC/EN 60529</b>        | IP65<br>Option:<br>IP66   |
| <b>Permissible temperatures <sup>2)</sup></b>     |   |
| Ambient (at the case)                             | -20 ... +60 °C [-4 ... +140 °F] without/with liquid dampening<br>Option:<br>-40 ... +60 °C [-40 ... +140 °F] (with SN contact)  |
| Storage and transport                             |   |
| Without liquid dampening                          | -50 ... +70 °C [-58 ... +158 °F]  |
| With liquid dampening                             | -40 ... +70 °C [-40 ... +158 °F]  |
| <b>Permissible operating pressure at the stem</b> | max. 25 bar, static   |
| <b>Electrical connection</b>                      | Cable socket PA 6, black<br>According to VDE 0110 insulation group C/250 V<br>Cable gland M20 x 1.5<br>Strain relief<br>6 screw terminals + PE for conductor cross-section 2.5 mm <sup>2</sup><br>Dimensions see page 12<br>others on request |

2) For hazardous areas, the permissible temperatures of the contact model 831 shall apply exclusively (for permissible temperature ranges see Seite 5). These must not be exceeded at the instrument either (for details see operating instructions). If necessary, measures for cooling (e.g. measuring point insulation) have to be taken.

**Scale range, measuring range, error limit (DIN 16196)****Scale graduation per WIKA standard**

| Scale range in °C | Measuring range in °C <sup>3)</sup> | Scale spacing in °C | Error limit in °C |
|-------------------|-------------------------------------|---------------------|-------------------|
| -80 ... +60       | -60 ... +40                         | 2                   | 3.0               |
| -60 ... +40       | -50 ... +30                         | 1                   | 1.5               |
| -40 ... +60       | -30 ... +50                         | 1                   | 1.5               |
| -30 ... +50       | -20 ... +40                         | 1                   | 1.5               |
| -20 ... +60       | -10 ... +50                         | 1                   | 1.5               |
| -20 ... +80       | -10 ... +70                         | 1                   | 1.5               |
| -20 ... +120      | 0 ... 100                           | 2                   | 3.0               |
| -20 ... +140      | 0 ... 120                           | 2                   | 3.0               |
| 0 ... 60          | 10 ... 50                           | 1                   | 1.5               |
| 0 ... 80          | 10 ... 70                           | 1                   | 1.5               |
| 0 ... 100         | 10 ... 90                           | 1                   | 1.5               |
| 0 ... 120         | 10 ... 110                          | 2                   | 3.0               |
| 0 ... 160         | 20 ... 140                          | 2                   | 3.0               |
| 0 ... 200         | 20 ... 180                          | 2                   | 3.0               |
| 0 ... 250         | 30 ... 220                          | 5                   | 3.75              |
| 0 ... 300         | 30 ... 270                          | 5                   | 7.5               |
| 0 ... 400         | 50 ... 350                          | 5                   | 7.5               |
| 0 ... 500         | 50 ... 450                          | 5                   | 7.5               |
| 0 ... 600         | 100 ... 500                         | 10                  | 15.0              |
| 0 ... 700         | 100 ... 600                         | 10                  | 15.0              |

3) The measuring range is indicated on the dial by two triangular marks. Only within this range is the stated error limit valid per DIN 16196.

**Please indicate switch points!**

Unless otherwise specified, the instrument will be delivered with the adjustable switching points factory-set as follows:

- Single contact      Start of measuring range
- Double contact     Start and end of the measuring range

## Switch contacts

### Magnetic snap-action contact model 821

- No control unit and no power supply required
- Direct switching up to 250 V, 1 A
- Up to 4 switch contacts per measuring instrument

### Inductive contact model 831

- Suitable for use in hazardous areas with corresponding control unit (model 904.xx)
- Long service life due to non-contact sensor
- Low influence on the indication accuracy
- Fail-safe switching at high switching frequency
- Insensitive to corrosion
- Also available in safety version
- Up to 3 switch contacts per measuring instrument

### Electronic contact model 830 E

- For direct triggering of a programmable logic controller (PLC)
- 2-wire system (option: 3-wire system)
- Long service life due to non-contact sensor
- Low influence on the indication accuracy
- Fail-safe switching at high switching frequency
- Insensitive to corrosion
- Up to 3 switch contacts per measuring instrument

### Switching function

The switching function of the switch is indicated by index 1, 2 or 3.

Model 8xx.1: Normally open (clockwise pointer motion)

Model 8xx.2: Normally closed (clockwise pointer motion)

Model 8xx.3: Change-over; one contact breaks and one contact makes simultaneously when pointer reaches set point

### Please indicate switch points!

Unless otherwise specified, the instrument will be delivered with the adjustable switching points factory-set as follows:

- Single contact    Start of measuring range
- Double contact    Start and end of the measuring range
- Triple contact    Start, middle and end of the measuring range

### Note

For magnetic snap-action contacts, it does not make sense to test the display, around the set limit values, in the range  $\pm 5\%$  of the measuring span, because the magnet has an influence on the indication accuracy.

For further information on switch contacts, see data sheet AC 08.01

## Other versions

- Contact model 821 with separate circuits
- Contact model 821 as change-over contact (break or make simultaneously at the set point)
- Contact model 821 with cable break monitoring (parallel resistance 47 k $\Omega$  and 100 k $\Omega$ )
- Contact materials for contact model 821: Platinum-iridium alloy and gold-silver alloy
- Contacts fixed, without contact adjustment lock
- Contact adjustment lock leaded
- Contact adjustment key fixed
- Connector (instead of cable or cable socket)

## Specifications for instruments with magnetic snap-action contact model 821

The recommended setting range of the contacts is 25 ... 75 % of the scale (0 ... 100 % on request).

Contact material (standard): Silver-nickel, gold-plated

### Setting of contacts to identical set point

The recommended minimum clearance between two contacts is 20 % of the scale range.

The switch hysteresis is 2 ... 5 % (typical).

| Characteristics                          | Unfilled instruments |  | Filled instruments |  |
|--|----------------------|--|--------------------|--|
|  | Resistive load       |  | Resistive load     |  |
|  | Switch version "L"   |  | Switch version "L" |  |
| Rated operating voltage $U_{\text{eff}}$ | ≤ 250 V              |  | ≤ 250 V            |  |
| Rated operating current                  |                      |  |                    |  |
| Switch-on current                        | ≤ 0.5 A              |  | ≤ 0.5 A            |  |
| Switch-off current                       | ≤ 0.5 A              |  | ≤ 0.5 A            |  |
| Continuous current                       | ≤ 0.3 A              |  | ≤ 0.3 A            |  |
| Switching power                          | ≤ 30 W / ≤ 50 VA     |  | ≤ 20 W / ≤ 20 VA   |  |

### Recommended contact load with resistive and inductive loads

| Operating voltage   | Unfilled instruments |                     |                      | Filled instruments |                     |                      |
|---------------------|----------------------|---------------------|----------------------|--------------------|---------------------|----------------------|
|                     | Resistive load       |                     | Inductive load       | Resistive load     |                     | Inductive load       |
|                     | Direct current       | Alternating current | $\cos \varphi > 0.7$ | Direct current     | Alternating current | $\cos \varphi > 0.7$ |
| DC 220 V / AC 230 V | 100 mA               | 120 mA              | 65 mA                | 65 mA              | 90 mA               | 40 mA                |
| DC 110 V / AC 110 V | 200 mA               | 240 mA              | 130 mA               | 130 mA             | 180 mA              | 85 mA                |
| DC 48 V / AC 48 V   | 300 mA               | 450 mA              | 200 mA               | 190 mA             | 330 mA              | 130 mA               |
| DC 24 V / AC 24     | 400 mA               | 600 mA              | 250 mA               | 250 mA             | 450 mA              | 150 mA               |

## Specifications for instruments with inductive contact model 831

The recommended setting range of the contacts is 10 ... 90 % of the scale (0 ... 100 % on request).

### Setting of contacts to identical set point

Up to 2 contacts can be set to an identical set point. For a version with 3 contacts this is not possible. The left (no. 1) or right (no. 3) contact may not be set to the same set point as the other 2 contacts. The required displacement is approx. 30°, optionally to the right or to the left.

### Available contact versions

- 831-N
- 831-SN, safety version <sup>1)</sup>
- 831-S1N, safety version <sup>1)</sup>, inverted signal

<sup>1)</sup> only operate with a corresponding isolating amplifier (model 904.3x)

### Permissible temperature range

| T6             | T5 ... T1      | T135°C         |
|----------------|----------------|----------------|
| -20 ... +60 °C | -20 ... +70 °C | -20 ... +70 °C |

For further information on hazardous areas, see operating instructions.

### Associated isolating amplifiers and control units

| Model                     | Version           | Ex version             |
|---------------------------|-------------------|------------------------|
| 904.28 KFA6 - SR2 - Ex1.W | 1 contact         | yes                    |
| 904.29 KFA6 - SR2 - Ex2.W | 2 contacts        | yes                    |
| 904.30 KHA6 - SH - Ex1    | 1 contact         | yes - safety equipment |
| 904.33 KFD2-SH-Ex1        | 1 contact         | yes - safety equipment |
| 904.25 MSR 010-I          | 1 contact         | no                     |
| 904.26 MSR 020-I          | 2 contacts        | no                     |
| 904.27 MSR 011-I          | Two-point control | no                     |

## Specifications for instruments with electronic contact model 830 E

The recommended setting range of the contacts is 10 ... 90 % of the scale (0 ... 100 % on request).

### Setting of contacts to identical set point

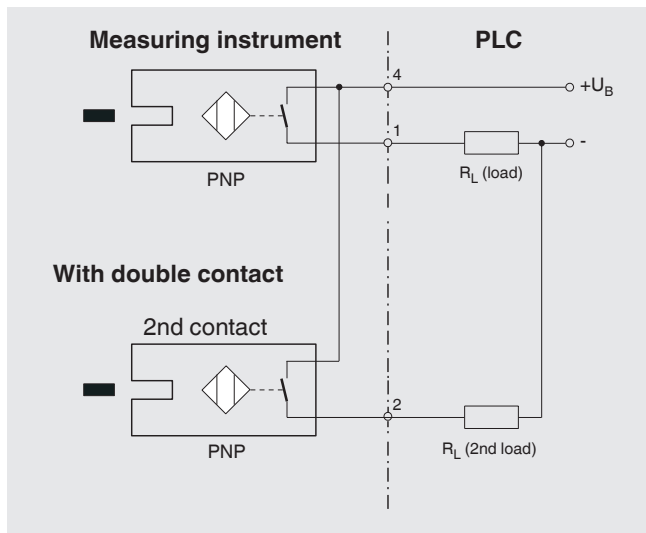
Up to 2 contacts can be set to an identical set point. For a version with 3 contacts this is not possible.

The left (no. 1) or right (no. 3) contact may not be set to the same set point as the other 2 contacts.

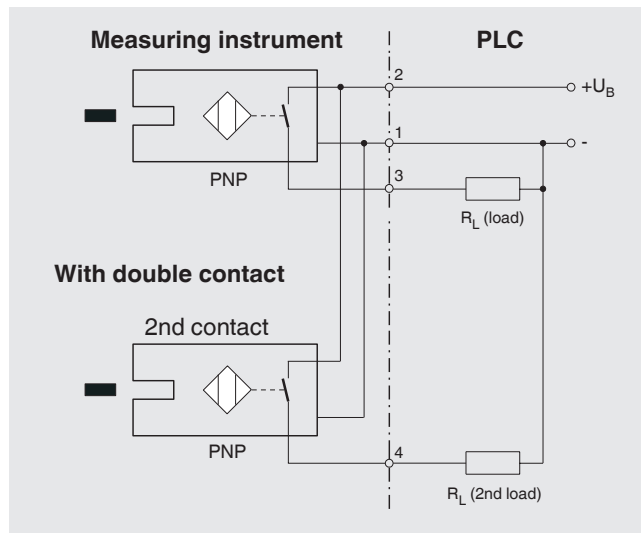
The required displacement is approx. 30°, optionally to the right or to the left.

| Characteristics                 |  |
|---------------------------------|--|
| Contact version                 | Normally open, normally closed   |
| Type of output                  | PNP transistor   |
| Operating voltage               | DC 10 ... 30 V   |
| Residual ripple                 | max. 10 %  |
| No-load current                 | ≤ 10 mA  |
| Switching current               | ≤ 100 mA   |
| Residual current                | ≤ 100 μA   |
| Voltage drop (with $I_{max.}$ ) | ≤ 0.7 V  |
| Reverse polarity protection     | Conditional $U_B$ (the switched output 3 or 4 must never be set directly to minus) |
| Anti-inductive protection       | 1 kV, 0.1 ms, 1 kΩ   |
| Oscillator frequency            | approx. 1,000 kHz  |
| EMC                             | per EN 60947-5-2   |

### 2-wire system (standard)











### 3-wire system





## Approvals

| Logo   | Description   | Country                     |
|--|---|-----------------------------|
| <br> | <b>EU declaration of conformity</b> <ul style="list-style-type: none"> <li>■ EMC directive</li> <li>■ Low voltage directive</li> <li>■ RoHS directive</li> <li>■ ATEX directive (option) <sup>1)</sup></li> </ul> Hazardous areas<br>- Ex ia Zone 1 gas [II 2G Ex ia IIC T6/T5/T4 * Gb]<br>Zone 21 dust [II 2D Ex ia IIIB T85°C/T95°C/T100°C/T135°C * Db] | European Union              |
|   | <b>IECEx (option) <sup>1)</sup></b><br>Hazardous areas<br>- Ex ia Zone 1 gas [Ex ia IIC T6/T5/T4 * Gb]<br>Zone 21 dust [Ex ia IIIB T85°C/T95°C/T100°C/T135°C * Db]  | International               |
|   | <b>EAC (option)</b> <ul style="list-style-type: none"> <li>■ Import certificate</li> <li>■ EMC directive</li> <li>■ Hazardous areas <sup>1)</sup></li> </ul>  | Eurasian Economic Community |
|   | <b>GOST (option)</b><br>Metrology, measurement technology   | Russia                      |
|   | <b>KazInMetr (option)</b><br>Metrology, measurement technology  | Kazakhstan                  |
| -  | <b>MTSCHS (option)</b><br>Permission for commissioning  | Kazakhstan                  |
|   | <b>BelGIM (option)</b><br>Metrology, measurement technology   | Belarus                     |
|   | <b>Uzstandard (option)</b><br>Metrology, measurement technology   | Uzbekistan                  |
| -  | <b>CRN (option)</b><br>Safety (e.g. electr. safety, overpressure, ...)  | Canada                      |

1) Only for instruments with inductive contact model 831

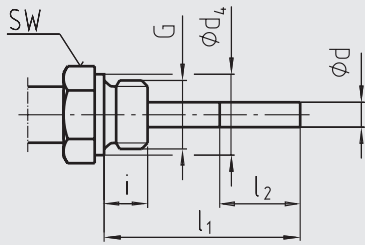
## Certificates (option)

- 2.2 test report
- 3.1 inspection certificate with 3 test points  
(optionally with 5 test points)
- DKD/DAkkS calibration certificate

Approvals and certificates, see website

# Connection designs

## Standard design (male threaded connection) <sup>1)</sup>

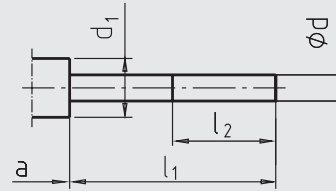


Standard insertion length  $l_1 = 63, 100, 160, 200, 250$  mm

| Nominal size | Process connection |    | Dimensions in mm |    |       |
|--------------|--------------------|----|------------------|----|-------|
|              | NS                 | G  | i                | SW | $d_4$ |
| 100, 160     | G 1/2 B            | 14 | 27               | 26 | 8     |
|              | G 3/4 B            | 16 | 32               | 32 | 8     |
|              | 1/2 NPT            | 19 | 22               | -  | 8     |
|              | 3/4 NPT            | 20 | 30               | -  | 8     |

1) Not applicable to instruments with capillary

## Design 1, plain stem (without thread)



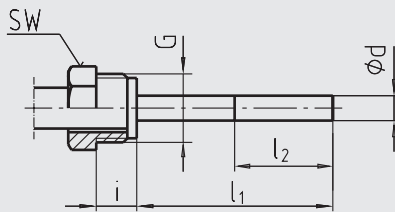
3073050.05

Standard insertion length  $l_1 = 100, 140, 200, 240, 290$  mm

| Nominal size | Dimensions in mm |                     |                 |             |
|--------------|------------------|---------------------|-----------------|-------------|
|              | NS               | $d_1$ <sup>2)</sup> | $\varnothing d$ | a for axial |
| 100, 160     | 18               | 8                   | 15              | 25          |

2) Not applicable to version with capillary

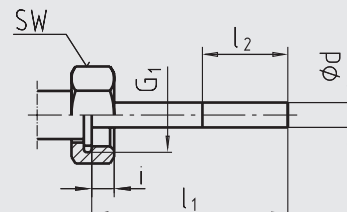
## Design 2, male nut



Standard insertion length  $l_1 = 80, 140, 180, 230$  mm

| Nominal size | Process connection |    | Dimensions in mm |    |
|--------------|--------------------|----|------------------|----|
|              | NS                 | G  | i                | SW |
| 100, 160     | G 1/2 B            | 20 | 27               | 8  |
|              | M20 x 1.5          | 15 | 22               | 8  |

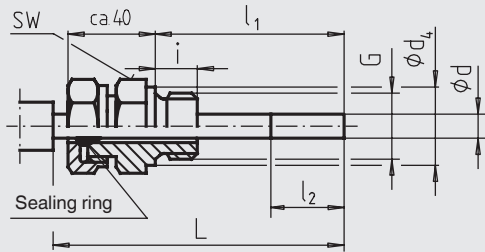
## Design 3, union nut



Standard insertion length  $l_1 = 89, 126, 186, 226, 276$  mm

| Nominal size | Process connection |      | Dimensions in mm |    |
|--------------|--------------------|------|------------------|----|
|              | NS                 | G    | i                | SW |
| 100, 160     | G 1/2 B            | 8.5  | 27               | 8  |
|              | G 3/4 B            | 10.5 | 32               | 8  |
|              | M24 x 1.5          | 13.5 | 32               | 8  |

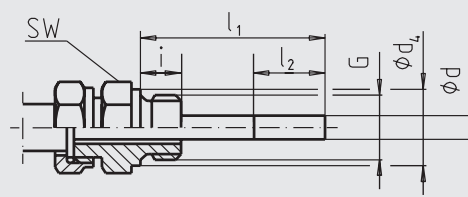
### Design 4, compression fitting (sliding on stem)



Insertion length  $l_1$  = variable  
 Length  $L = l_1 + 40$  mm

| Nominal size | Process connection |    | Dimensions in mm |       |                 |
|--------------|--------------------|----|------------------|-------|-----------------|
|              | G                  | i  | SW               | $d_4$ | $\varnothing d$ |
| NS           | G                  | i  | SW               | $d_4$ | $\varnothing d$ |
| 100, 160     | G 1/2 B            | 14 | 27               | 26    | 8               |
|              | G 3/4 B            | 16 | 32               | 32    | 8               |
|              | M18 x 1.5          | 12 | 24               | 23    | 8               |
|              | 1/2 NPT            | 19 | 22               | -     | 8               |
|              | 3/4 NPT            | 20 | 30               | -     | 8               |

### Design 5, union nut and loose threaded connection



3073050.05

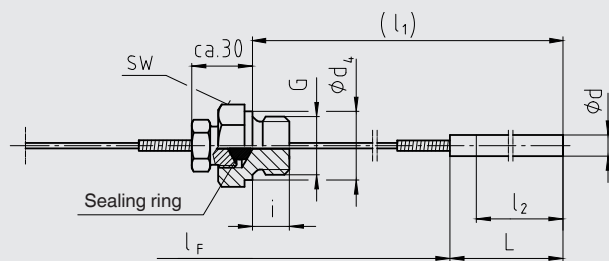
Standard insertion length  $l_1 = 63, 100, 160, 200, 250$  mm

| Nominal size | Process connection  |   | Dimensions in mm |       |                 |
|--------------|---|---|------------------|-------|-----------------|
|              | G   | i   | SW               | $d_4$ | $\varnothing d$ |
| NS           | G <td>i <td>SW</td> <td><math>d_4</math></td> <td><math>\varnothing d</math></td> </td> | i <td>SW</td> <td><math>d_4</math></td> <td><math>\varnothing d</math></td> | SW               | $d_4$ | $\varnothing d$ |
| 100, 160     | G 1/2 B   | 14  | 27               | 26    | 8               |
|              | G 3/4 B   | 16  | 32               | 32    | 8               |
|              | M18 x 1.5   | 12  | 24               | 23    | 8               |
|              | 1/2 NPT   | 19  | 22               | -     | 8               |
|              | 3/4 NPT   | 20  | 30               | -     | 8               |

**Option:** Connection with union nut M24 x 1.5  
 and loose threaded connection M18 x 1.5

| Nominal size | Process connection  |  | Dimensions in mm   |                   |                 |
|--------------|---|--|--|-------------------|-----------------|
|              | G   | i  | SW   | $\varnothing d_4$ | $\varnothing d$ |
| NS           | G <td>i <td>SW <th><math>\varnothing d_4</math></th> <th><math>\varnothing d</math></th> </td></td> | i <td>SW <th><math>\varnothing d_4</math></th> <th><math>\varnothing d</math></th> </td> | SW <th><math>\varnothing d_4</math></th> <th><math>\varnothing d</math></th> | $\varnothing d_4$ | $\varnothing d$ |
| 100, 160     | M18 x 1.5   | 12   | 32   | 23                | 8               |

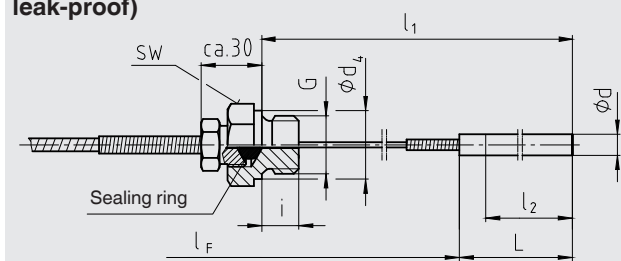
### Design 6.1, compression fitting sliding on capillary (compression fitting is leak-proof)



Insertion length  $l_1$  = variable  
 Probe length L: Standard 200 mm with  $\varnothing d = 6$  mm  
 Standard 170 mm with  $\varnothing d = 8$  mm  
 Standard 100 mm with  $\varnothing d \geq 10$  mm

| Nominal size | Process connection |   | Dimensions in mm |       |                 |
|--------------|--------------------|---|------------------|-------|-----------------|
|              | G                  | i   | SW               | $d_4$ | $\varnothing d$ |
| NS           | G                  | i <td>SW</td> <th><math>d_4</math></th> <th><math>\varnothing d</math></th> | SW               | $d_4$ | $\varnothing d$ |
| 100, 160     | G 1/2 B            | 14  | 27               | 26    | 8               |
|              | G 3/4 B            | 16  | 32               | 32    | 8               |
|              | 1/2 NPT            | 19  | 22               | -     | 8               |
|              | 3/4 NPT            | 20  | 30               | -     | 8               |

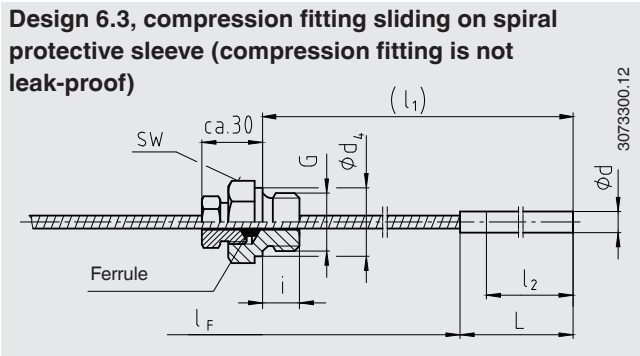
### Design 6.2, compression fitting sliding on capillary with spiral protective sleeve (compression fitting is leak-proof)



3073300.12

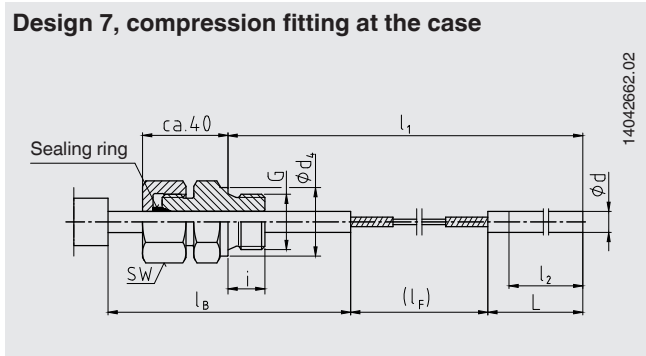
Insertion length  $l_1$ :  $\geq 300$  mm with  $\varnothing d = 6$  or 8 mm  
 $\geq 200$  mm with  $\varnothing d \geq 10$  mm  
 Probe length L: Standard 200 mm with  $\varnothing d = 6$  mm  
 Standard 170 mm with  $\varnothing d = 8$  mm  
 Standard 100 mm with  $\varnothing d \geq 10$  mm

| Nominal size | Process connection |   | Dimensions in mm |       |                 |
|--------------|--------------------|---|------------------|-------|-----------------|
|              | G                  | i   | SW               | $d_4$ | $\varnothing d$ |
| NS           | G                  | i <td>SW</td> <th><math>d_4</math></th> <th><math>\varnothing d</math></th> | SW               | $d_4$ | $\varnothing d$ |
| 100, 160     | G 1/2 B            | 14  | 27               | 26    | 8               |
|              | G 3/4 B            | 16  | 32               | 32    | 8               |
|              | 1/2 NPT            | 19  | 22               | -     | 8               |
|              | 3/4 NPT            | 20  | 30               | -     | 8               |



Insertion length  $l_1$  = variable  
 Probe length L: Standard 200 mm with  $\varnothing d = 6$  mm  
 Standard 170 mm with  $\varnothing d = 8$  mm  
 Standard 100 mm with  $\varnothing d \geq 10$  mm

| Nominal size | Process connection |    | Dimensions in mm |       |                 |
|--------------|--------------------|----|------------------|-------|-----------------|
|              | G                  | i  | SW               | $d_4$ | $\varnothing d$ |
| 100, 160     | G 1/2 B            | 14 | 27               | 26    | 8               |
|              | G 3/4 B            | 16 | 32               | 32    | 8               |
|              | 1/2 NPT            | 19 | 22               | -     | 8               |
|              | 3/4 NPT            | 20 | 30               | -     | 8               |



Insertion length  $l_1$ :  $\geq 400$  mm  
 Probe length L: Standard 200 mm with  $\varnothing d = 6$  mm  
 Standard 170 mm with  $\varnothing d = 8$  mm  
 Standard 100 mm with  $\varnothing d \geq 10$  mm  
 $l_B$  = standard 100 mm (others on request)

| Nominal size | Process connection |    | Dimensions in mm |       |                 |
|--------------|--------------------|----|------------------|-------|-----------------|
|              | G                  | i  | SW               | $d_4$ | $\varnothing d$ |
| 100, 160     | G 1/2 B            | 14 | 27               | 26    | 8               |
|              | G 3/4 B            | 16 | 32               | 32    | 8               |
|              | 1/2 NPT            | 19 | 22               | -     | 8               |
|              | 3/4 NPT            | 20 | 30               | -     | 8               |

**Note for designs 6.1, 6.2, 6.3 and 7:**

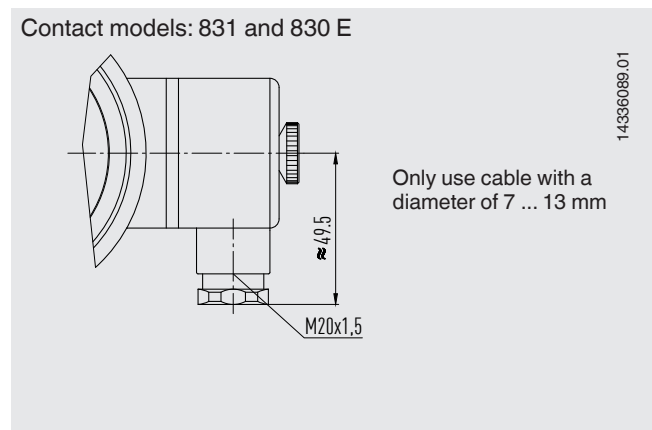
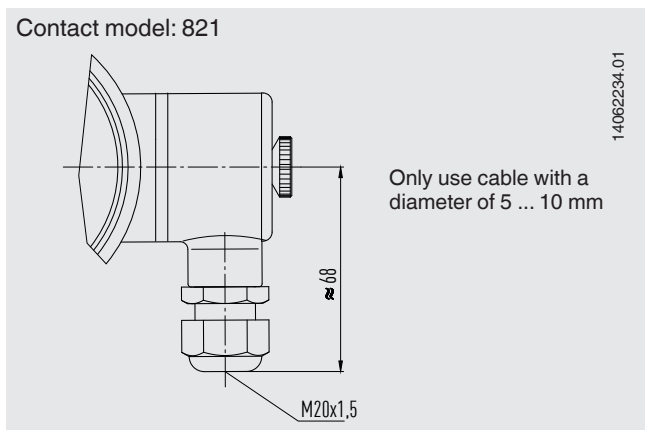
With some combinations, the active length  $l_2$  can correspond to the probe length L.  
 If an additional compression fitting is desired, the probe length L increases by at least 60 mm.

**Legend:**

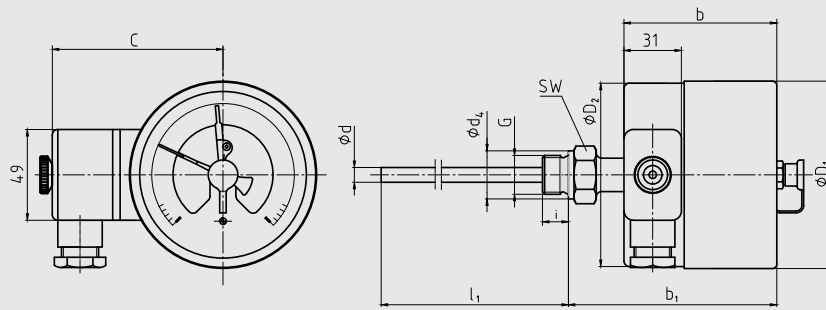
- G Male thread
- G<sub>1</sub> Female thread
- i Thread length (incl. collar)
- a Distance to the case/articulated joint
- $\varnothing d_4$  Diameter of the sealing collar
- SW Spanner width
- $\varnothing d$  Stem diameter
- $l_1$  Insertion length
- $l_2$  Active length
- $l_F$  Capillary length
- $l_B$  Mounting shaft

**Dimensions in mm**

**Cable socket**

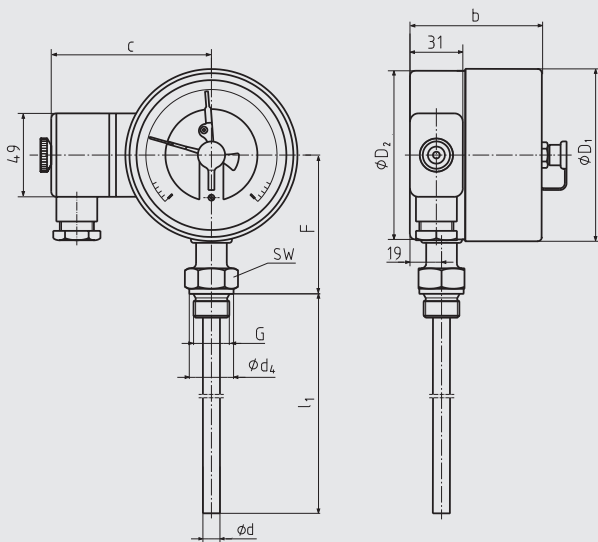


### Back mount



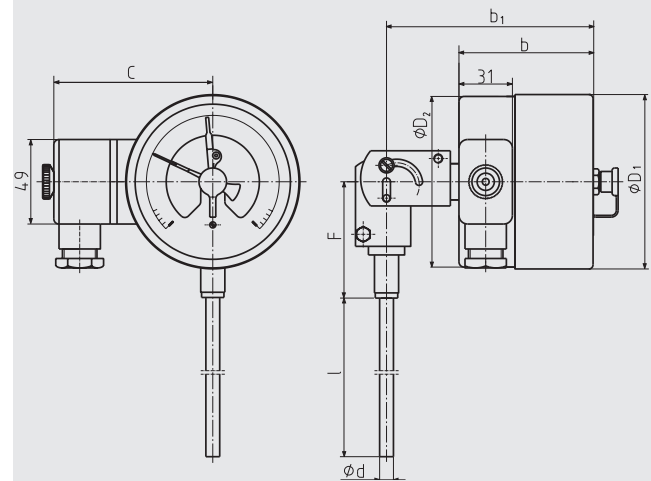
11442522.02

### Lower mount



11442850.01

### Back mount Adjustable stem and dial



11443171.01

### Back mount, lower mount

| Nominal size | Dimensions in mm                |                              |       |                              |                 |                |                |                |                 |       |    | Weight in kg |
|--------------|---------------------------------|------------------------------|-------|------------------------------|-----------------|----------------|----------------|----------------|-----------------|-------|----|--------------|
|              | Switch contact model 821 or 831 |                              |       |                              |                 |                |                |                |                 |       |    |              |
|              | 1- or 2-way                     |                              | 3-way |                              |                 |                |                |                |                 |       |    |              |
| NS           | b                               | b <sub>1</sub> <sup>1)</sup> | b     | b <sub>1</sub> <sup>1)</sup> | d               | d <sub>4</sub> | D <sub>1</sub> | D <sub>2</sub> | F <sup>1)</sup> | G     | SW |              |
| 100          | 88                              | 121                          | -     | -                            | 8 <sup>2)</sup> | 26             | 101            | 99             | 83              | G ½ B | 27 | 1.3          |
| 160          | 88                              | 121                          | 96    | 129                          | 8 <sup>2)</sup> | 26             | 161            | 159            | 113             | G ½ B | 27 | 1.5          |

### Back mount, adjustable stem and dial

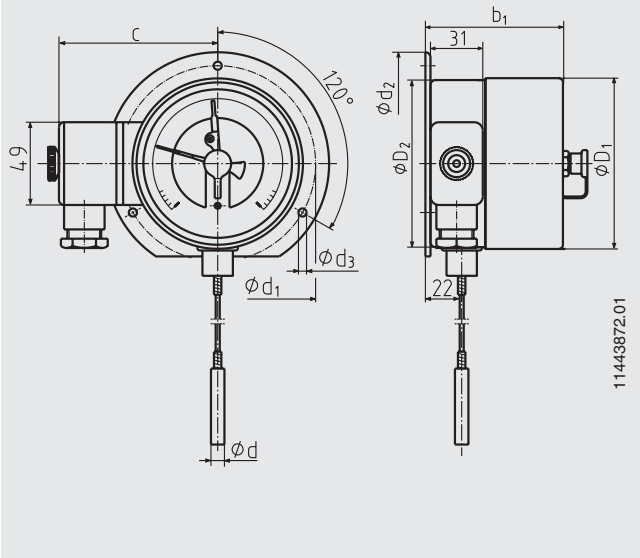
| Nominal size | Dimensions in mm                |                |       |                |                 |                |                |    | Weight in kg |
|--------------|---------------------------------|----------------|-------|----------------|-----------------|----------------|----------------|----|--------------|
|              | Switch contact model 821 or 831 |                |       |                |                 |                |                |    |              |
|              | 1- or 2-way                     |                | 3-way |                |                 |                |                |    |              |
| NS           | b                               | b <sub>1</sub> | b     | b <sub>1</sub> | d               | D <sub>1</sub> | D <sub>2</sub> | F  |              |
| 100          | 88                              | 131            | -     | -              | 8 <sup>2)</sup> | 101            | 99             | 68 |              |
| 160          | 88                              | 131            | 97    | 140            | 8 <sup>2)</sup> | 161            | 159            | 68 |              |

1) With scale ranges ≥ 0 ... 300 °C the dimensions increase by 40 mm

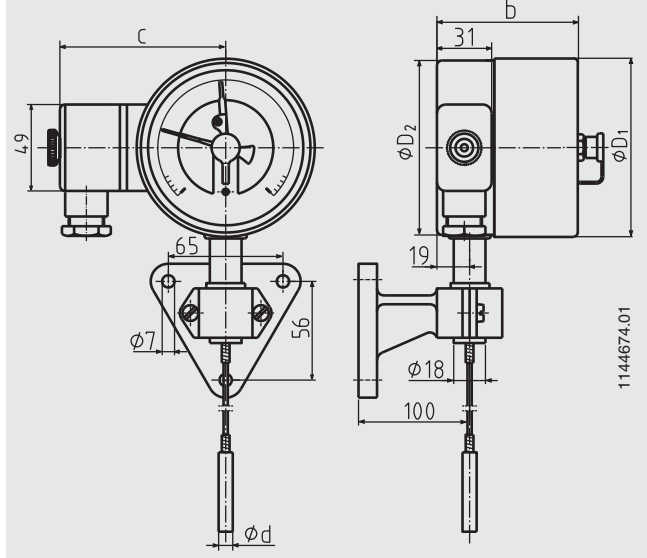
2) Option: Stem diameter 6, 10, 12 mm

Dimensions in mm for instruments with capillary

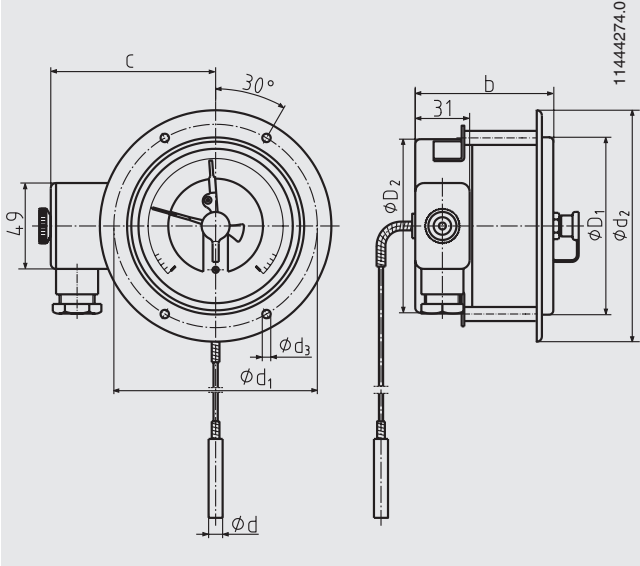
Surface mounting flange



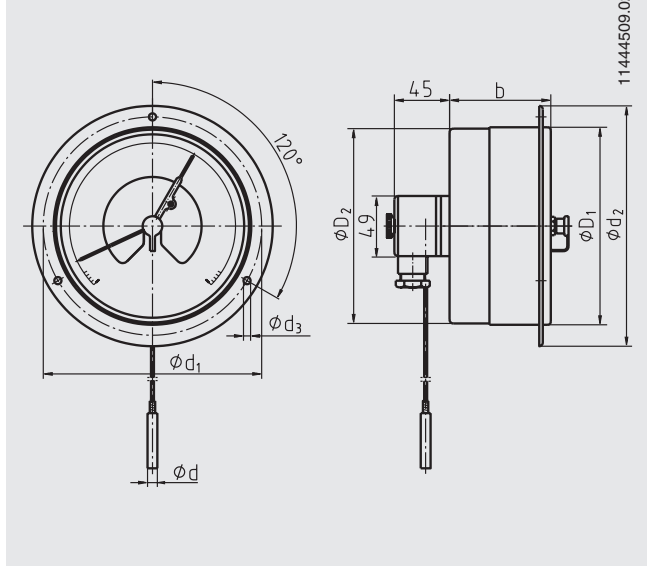
Instrument mounting bracket



Instruments NS 100 with panel mounting flange



Instruments NS 160 with panel mounting flange

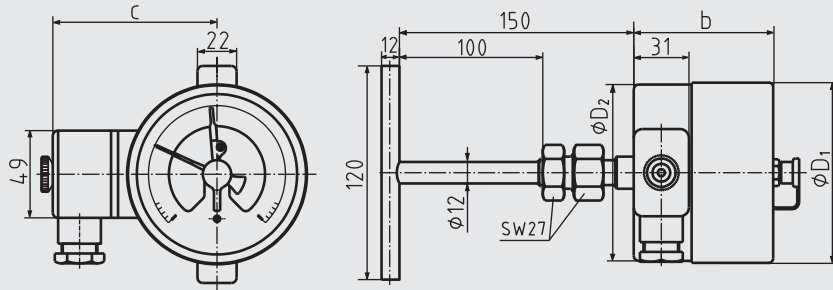


| Nominal size | Dimensions in mm                |                |       |                |                 |                |                |                |                |                |                |     | Weight in kg |
|--------------|---------------------------------|----------------|-------|----------------|-----------------|----------------|----------------|----------------|----------------|----------------|----------------|-----|--------------|
|              | Switch contact model 821 or 831 |                |       |                |                 |                |                |                |                |                |                |     |              |
|              | 1- or 2-way                     |                | 3-way |                | d               | d <sub>1</sub> | d <sub>2</sub> | d <sub>3</sub> | D <sub>1</sub> | D <sub>2</sub> | D <sub>3</sub> | h   |              |
| NS           | b                               | b <sub>1</sub> | b     | b <sub>1</sub> | d               | d <sub>1</sub> | d <sub>2</sub> | d <sub>3</sub> | D <sub>1</sub> | D <sub>2</sub> | D <sub>3</sub> | h   |              |
| 100          | 88                              | 91             | -     | -              | 8 <sup>2)</sup> | 116            | 132            | 4.8            | 101            | 99             | 107            | 107 | 1.6          |
| 160          | 88                              | 91             | 97    | 100            | 8 <sup>2)</sup> | 178            | 196            | 5.8            | 161            | 159            | 166            | 172 | 2,0          |

2) Option: Stem diameter 6, 10, 12 mm

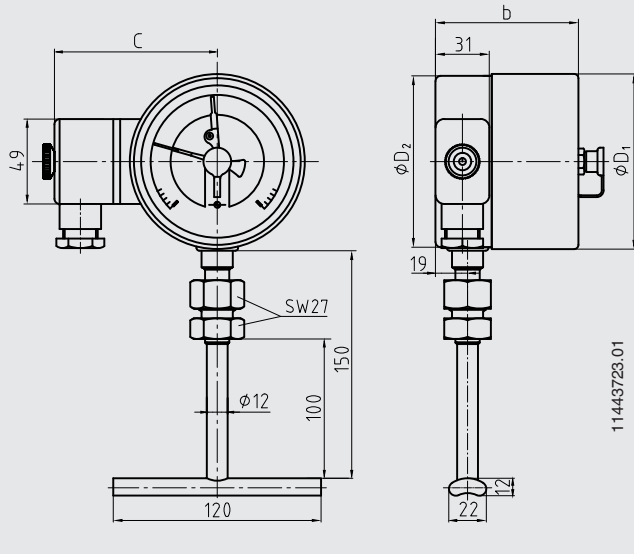
Dimensions in mm for instruments with contact bulb

Back mount



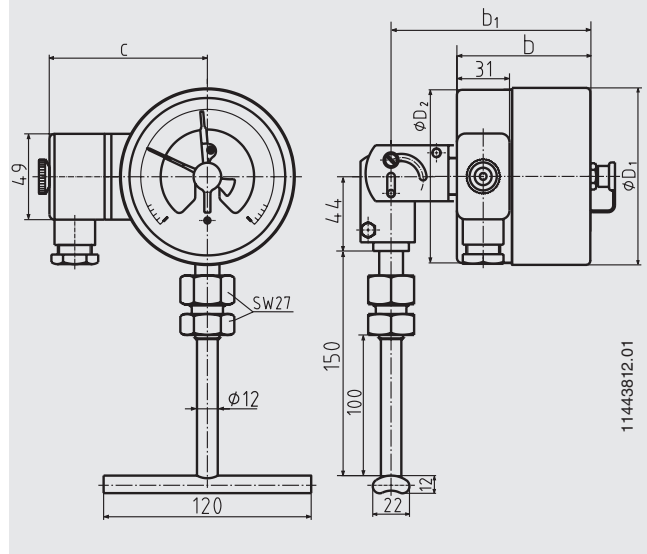
11443413.01

Lower mount



11443723.01

Back mount, adjustable stem and dial

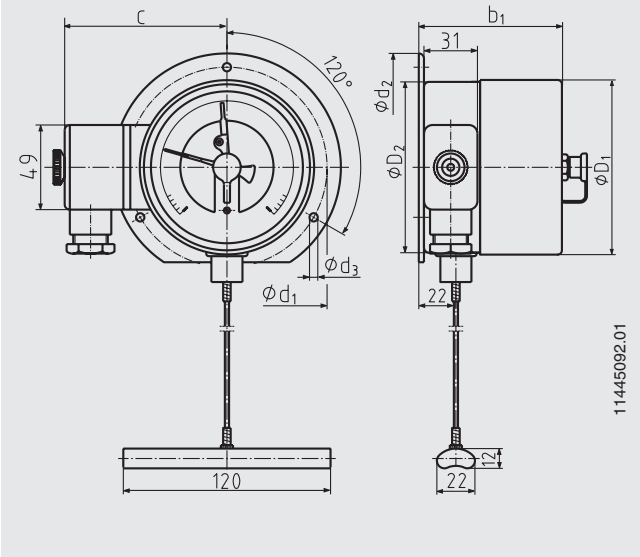


11443812.01

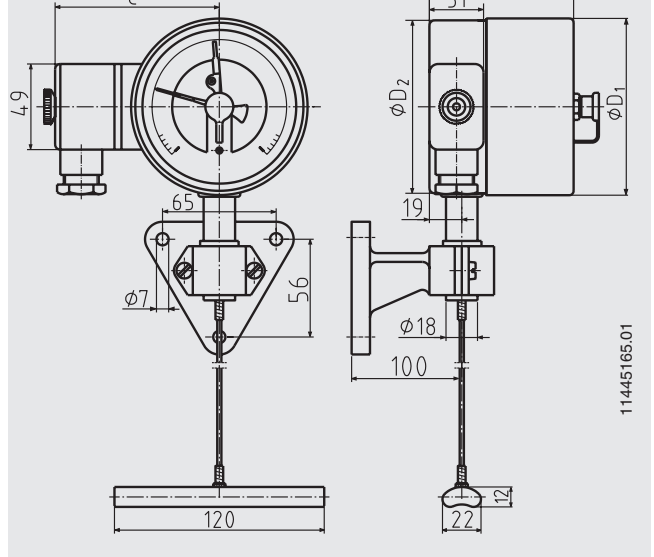
| Connection location      | Nominal size | Dimensions in mm                |     |                |                |                |                | Weight in kg |
|--------------------------|--------------|---------------------------------|-----|----------------|----------------|----------------|----------------|--------------|
|                          |              | Switch contact model 821 or 831 |     |                |                | D <sub>1</sub> | D <sub>2</sub> |              |
|                          |              | 1- or 2-way                     |     | 3-way          |                |                |                |              |
| NS                       | b            | b <sub>1</sub>                  | b   | b <sub>1</sub> | D <sub>1</sub> | D <sub>2</sub> |                |              |
| Back mount               | 100          | 88                              | -   | -              | -              | 101            | 99             | 1.0          |
|                          | 160          | 88                              | -   | 97             | -              | 161            | 159            | 1.1          |
| Lower mount              | 100          | 88                              | -   | -              | -              | 101            | 99             | 1.0          |
|                          | 160          | 88                              | -   | 97             | -              | 161            | 159            | 1.1          |
| Adjustable stem and dial | 100          | 88                              | 131 | -              | -              | 101            | 99             | 1.1          |
|                          | 160          | 88                              | 131 | 97             | 140            | 161            | 159            | 1.2          |

Dimensions in mm for instruments with contact bulb and capillary

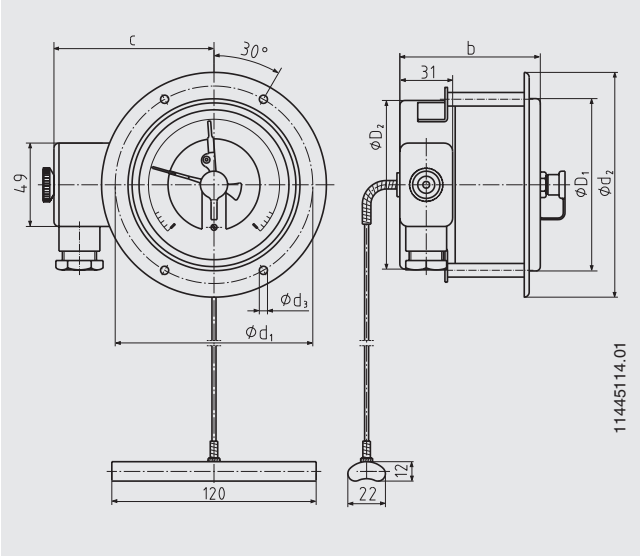
Surface mounting flange



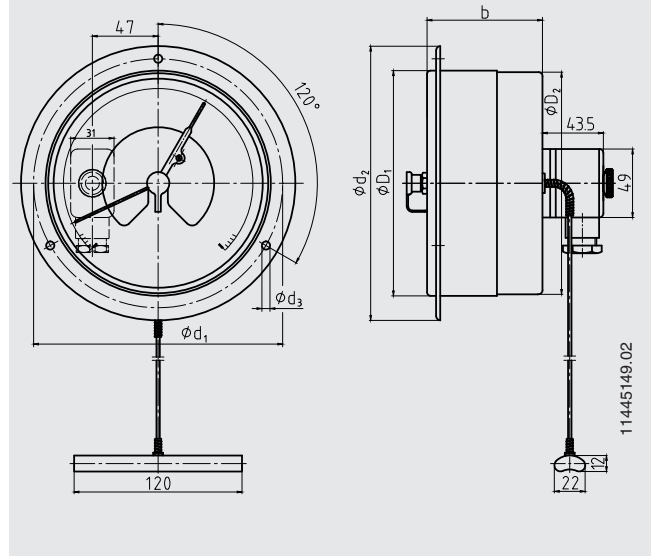
Instrument mounting bracket



Instruments NS 100 with panel mounting flange



Instruments NS 160 with panel mounting flange



| Nominal size | Dimensions in mm                |       |       |       |       |       |       |       |       |       |     | Weight in kg |
|--------------|---------------------------------|-------|-------|-------|-------|-------|-------|-------|-------|-------|-----|--------------|
|              | Switch contact model 821 or 831 |       |       |       |       |       |       |       |       |       |     |              |
|              | 1- or 2-way                     |       | 3-way |       | $d_1$ | $d_2$ | $d_3$ | $D_1$ | $D_2$ | $D_3$ | $h$ |              |
| NS           | $b$                             | $b_1$ | $b$   | $b_1$ | $d_1$ | $d_2$ | $d_3$ | $D_1$ | $D_2$ | $D_3$ | $h$ |              |
| 100          | 88                              | 91    | -     | -     | 116   | 132   | 4.8   | 101   | 99    | 107   | 107 | 1.6          |
| 160          | 88                              | 91    | 97    | 100   | 178   | 196   | 5.8   | 161   | 159   | 166   | 172 | 2.0          |



## Mounting instructions for contact bulb

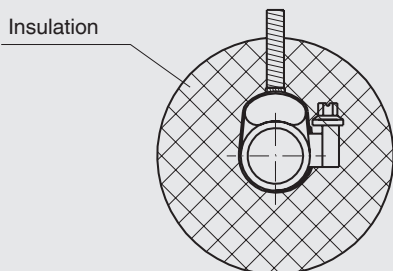
### General information

The contact bulb has been designed for mounting on pipes or tanks. When mounting this thermometer version, it must be ensured that the contact bulb is in contact with the measuring point over its complete length. The basic requirements to ensure a perfect measuring result is to retain good thermal contact between the contact bulb and the outside wall of the pipe or tank with minimal heat loss to the environment from the contact bulb and measuring point.

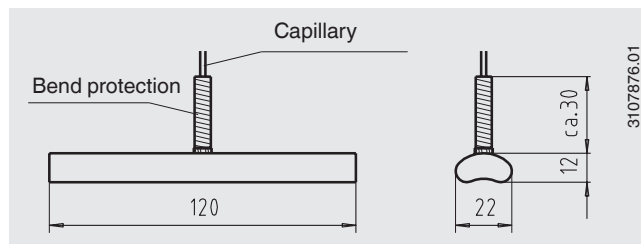
### ■ Mounting on pipes

The geometry of the contact bulb has been designed for pipes with external diameters between 20 and 160 mm. For fixing the contact bulb to the pipe, pipe clamps are sufficient. The contact bulb should have direct metallic contact with the measuring point and have firm contact with the surface of the pipe. Where temperatures under 200 °C are expected, a thermal compound can be used to optimise the heat transfer between contact bulb and pipe. Insulation must be applied at the mounting point to avoid error due to heat loss. This insulation must have sufficient temperature resistance and is not included in the scope of delivery.

#### Pipe clamp mounting



3107922.01

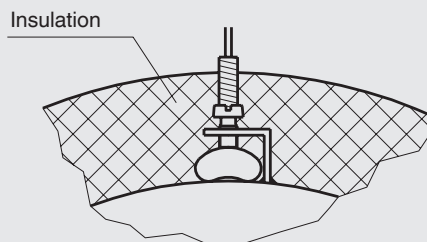


### ■ Mounting on tanks

The geometry of the contact bulb has been designed for tanks with an external radius up to 80 mm. If the mounting point of the contact bulb on the tank has an external radius greater than 80 mm, we recommend the use of an intermediate piece designed for the respective tank diameter, made of a material with good thermal conductivity. The contact bulb can be fastened to the tank by means of an angle bracket with clamping screws, or any similar method. The contact bulb should have direct metallic contact with the measuring point and have firm contact with the surface of the tank.

A thermal compound can be used to optimise the heat transfer between contact bulb and tank, if temperatures under 200 °C are expected. Insulation must be applied at the mounting point to avoid error due to heat loss. This insulation must have sufficient temperature resistance and is not included in the scope of delivery.

#### Angle bracket mounting



3107930.01

## Thermowell

In principle, the operation of a mechanical thermometer is possible without a thermowell with low process-side loading (low pressure, low viscosity and low flow velocities).

However, in order to enable exchanging the thermometer during operation (e.g. instrument replacement or calibration) and to ensure a better protection of the measuring instrument and also the plant and the environment, it is advisable to use a thermowell from the extensive WIKA thermowell portfolio.

For further information on the wake frequency calculation, see Technical information IN 00.15.

### Ordering information

Model / Nominal size / Type of contact and switching function / Scale range / Connection design / Process connection / Length  $l_1$  / Capillary length  $l_F$  / Options

© 06/2009 WIKA Alexander Wiegand SE & Co. KG, all rights reserved.  
The specifications given in this document represent the state of engineering at the time of publishing.  
We reserve the right to make modifications to the specifications and materials.

